



8TJ126 Mass Fuel Flowmeter

LEGACY OF SUCCESSFUL FLOWMETER APPLICATIONS CONTINUES

AMETEK 8TJ126 Mass Fuel Flowmeters feature the high reliability and low cost of ownership consistent with other AMETEK flowmeters. AMETEK's motorless 8TJ126 Fuel Flowmeter combines innovative design with AMETEK manufacturing technology to achieve low initial cost—as well as reduced maintenance expense over the life-span of the product. AMETEK 8TJ126 Fuel Flowmeters have already been selected for several business, regional, and rotary wing aircraft applications.

SUPERIOR RELIABILITY

AMETEK Fuel Flowmeters have proven to be much more reliable in service than competitive fuel flowmeters. AMETEK flowmeter reliability typically exceeds 50,000 hours MTBF in service. This flowmeter design is a derivative of the proven 8TJ124 and 8TJ167 Fluid Driven Fuel Flowmeters currently flying on numerous commercial transport applications. The superior reliability of the TJ126 family results from the “lessons learned” and experienced gained over years on these demanding applications.

EASY TO MAINTAIN

Accessibility to major electrical and mechanical sub-assemblies of the 8TJ126 Flowmeter enable the technician to readily disassemble, repair, and reassemble the flowmeter utilizing shop-available tooling and fixturing. Adjustments to calibration can be made without removing the unit from the fuel flow circulator thus providing time savings.

AMETEK Fuel Flowmeters have the best long-term calibration stability in the industry and are designed to operate over the life and stressing environments of the engine without recalibration. If necessary, the flowmeter can be easily calibrated on a test stand during actual fuel flow conditions. Calibration is as easy as dialing-in the correct adjustment with the turn of a screwdriver.

TEST AND CALIBRATION EQUIPMENT

AMETEK maintains and operates state-of-the-art flow measurement stands in support of design and production operations. Flowmeter test systems incorporate high accuracy reference flowmeters. High temperature testing capability is readily available to demonstrate flowmeter performance at extreme operating conditions. AMETEK testing facilities also include a high temperature and pressure endurance flow rig, a low fuel lubricity test rig and a contaminated fuel circulation loop.



FEATURES

- ✓ *Affordable*
- ✓ *Highest industry reliability*
- ✓ *Standardized form and envelope*
- ✓ *Flexible mechanical interface options*
- ✓ *Designed to replace AMETEK TJ64 motor driven designs*
- ✓ *TSO C44 approved*

8TJ126 Mass Fuel Flowmeter

SPECIFICATIONS

Flow Range: Up to 5,000 pph

Accuracy: Better than $\pm 1.0\%$ of point over cruise flow range (Varies over flow range)

Response: 4 seconds maximum for full scale

Input Power: None required

Output Signal: Pulse type—the time between pulses is directly proportional to mass flow rate

Scale Factors: Available from 20 pph/msec to 70 pph/msec

Pressure Drop: Typically 10 psi at 3,000 pph

Operating Ambient: -65° to 392° F (-54° to 200° C)

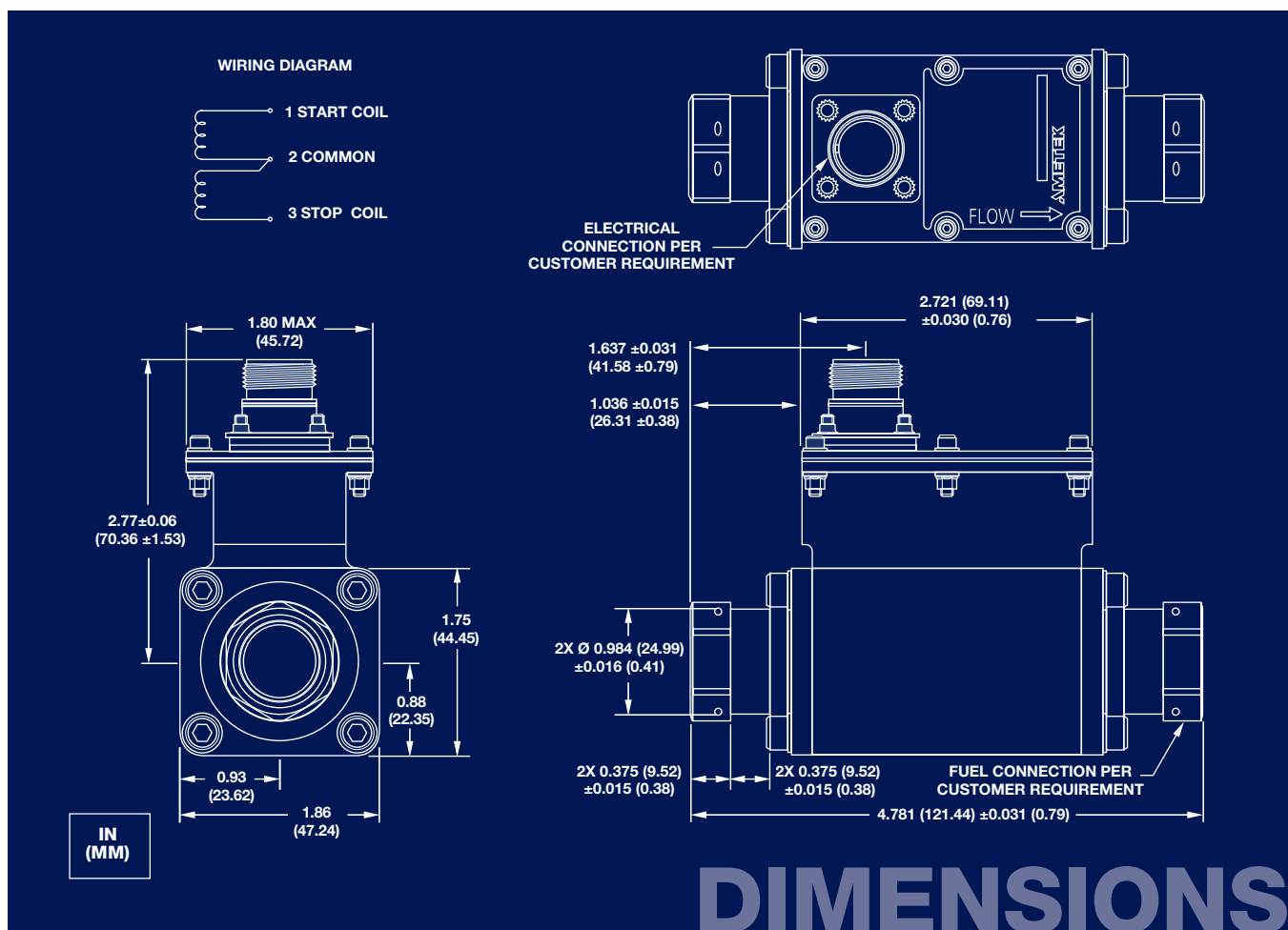
Weight: 1.1 pounds (0.5 kg) maximum

Customer Options:

Electrical connector type

Fuel piping, end fitting

Connector mounting orientation



AMETEK®
AEROSPACE
www.ametekaerospace.com

HEADQUARTERS
50 Fordham Road • Wilmington MA 01887 U.S.A.

Sales

Tel: 978-988-4771 • Fax: 978-988-4944
www.ametekaerospace.com • E-mail: aerosales@ametek.com

Distribution and Repair

Tel: 978-988-4100 • Fax: 978-988-4720
www.ametekaerospace.com/service.asp